

# Classic RFID by VingCard

Go ContactLess in 1 - 2 - 3!

Classic RFID by VingCard offers the latest Radio Frequency Identification (RFID) technology and the quickest path to go contactless if you already have a standard Classic by VingCard electronic lock.

Classic RFID by VingCard is equipped with the most flexible platform for future applications today:

### RFID Specifications

- 13,56MHz technology
- Compatible with the following standards:
  - ISO 14.443 A (MIFARE)
  - ISO 14.443 B
  - ISO 15.693
- Compatible with Near Field Communication (NFC) standards.



### FEATURES

- Standalone electronic lock with RFID technology.
- Fire listed for usage on fire doors. (UL, EN, BS).
- High security mortise lockcase available in ANSI, JPN, AUS and EURO versions.
- CE, FCC approved.
- Solid brass handle with self lubricating long life bearings.
- 3-point steel latch construction with an antifriction mechanism.
- Case hardened full 1-inch (ANSI) throw deadbolt.
- Panic release function – the deadbolt and latch are automatically retracted by inside handle for easy regress in emergency situations.
- ADA compliant (guests with physical disabilities).
- Future proof re-programmable FLASH RAM lock memory.
- Powered by 3AA batteries that provide up to 3 years normal life time.
- 600 event audit trail.
- Compatible with VISION system software platforms.
- Optional high security mechanical override.
- Upgrade kit from Classic by VingCard (both 4.5V and 9V) magnetic stripe or combo technology reader to RFID technology:
  - » **Only need to add the RFID reader by replacing the top end plug. A few minutes operation and no need to replace the lockcase or handles.**



# A wide range of RFID (contactless) carriers

VingCard offers a wide range of RFID carriers that are especially designed for different applications (for your guests, for your staff or for your VIP guests) and gives you the opportunity to enhance your guests' experience at your hotel.

## Typical hotel application:

Guests: Low cost guest keycards.  
Staff: Long lasting staff keycards.  
VIP guests: Keyfobs and cell phones.

## Typical resort & spa application:

Guests: Wrist band for guest convenience and all-inclusive.  
Staff: Long lasting staff keycards.  
VIP guests: Wristbands or keyfobs.

All RFID carriers may be mixed within one property, providing you with flexible solutions.

## Compatible with Near Field Communication (NFC) standards:

NFC technology enables RFID communication between our electronic locks with NFC-ready new generation cell phones.

- Guests can receive an encrypted room key and room number to their cell phone prior to their arrival, thus no need to check in at front desk.
- Guests can use their own NFC-ready cell phones to open the Classic RFID electronic lock.



[www.nfc-forum.org](http://www.nfc-forum.org)



**Low cost guest keycards:**  
Cards may be customized at your request.



**Long lasting staff keycards:**  
Cards may be customized at your request.



**Keyfobs**



**Wristbands:**  
The ideal RFID carrier for 'all-inclusive' resorts and spas.



**Cell phone:**  
Compatible with NFC technology cell phones.



# Quick path from standard Classic to RFID reader technology

Upgrading from Classic by VingCard magnetic stripe or combo technology to RFID technology is easily done by adding the Classic RFID reader.

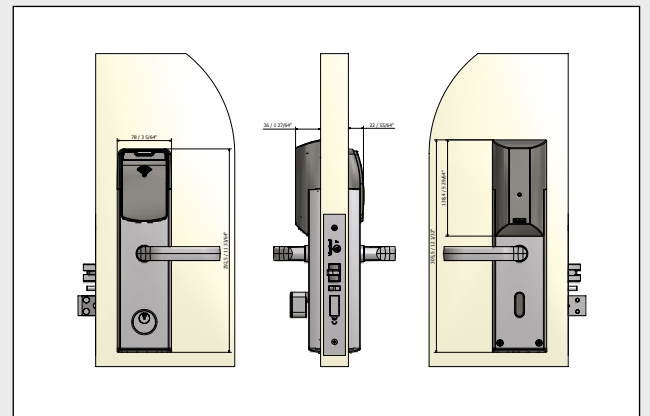
- 1) Remove the top endcap of Classic lock.
- 2) Replace with RFID reader
- 3) Installation complete

All in all;

- 3-5 minutes operation.
- No disturbance or inconvenience for your guests.
- No need to replace the lockcase or handles.
- No drilling required.
- No downtime in-room availability.



## Dimensions:



## Emergency cylinder option

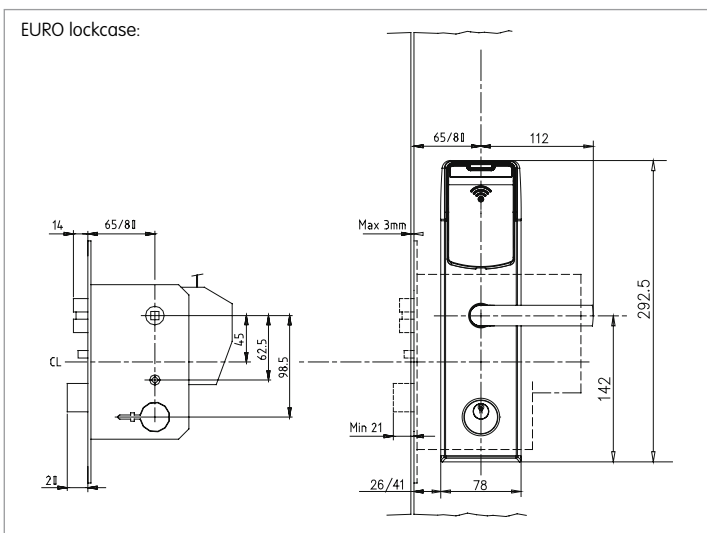
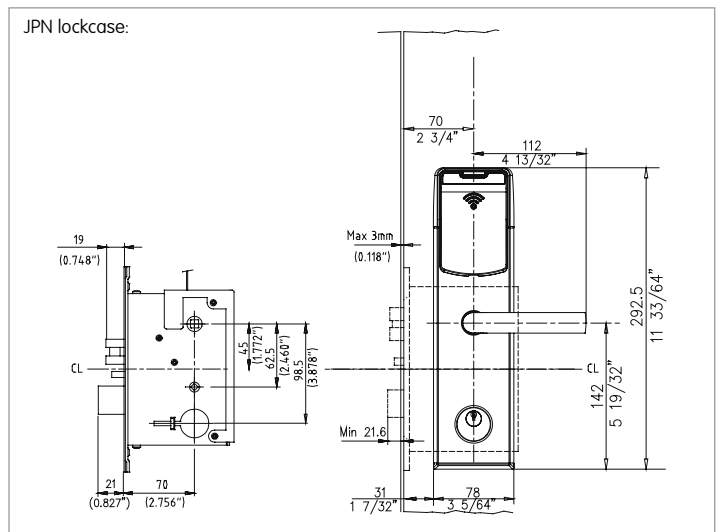
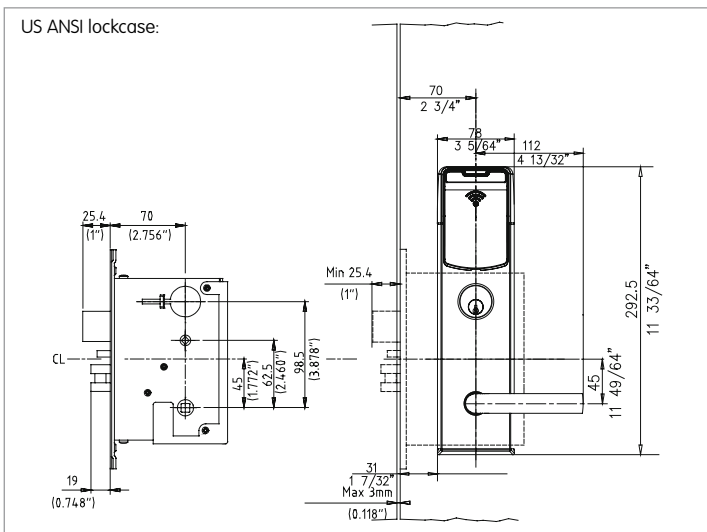
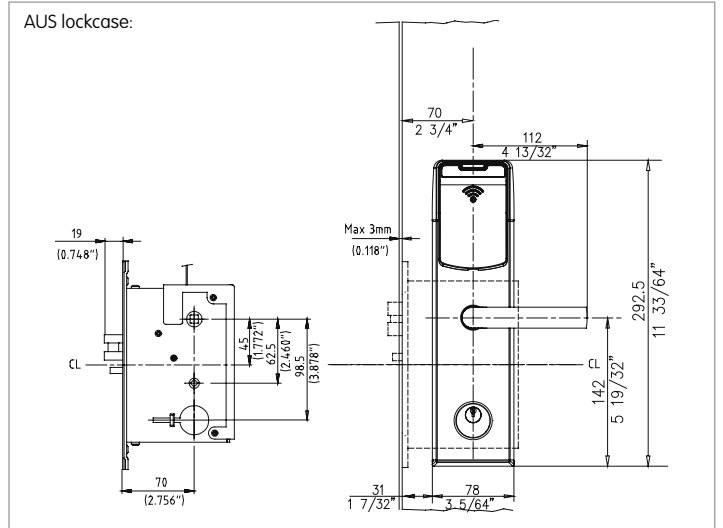
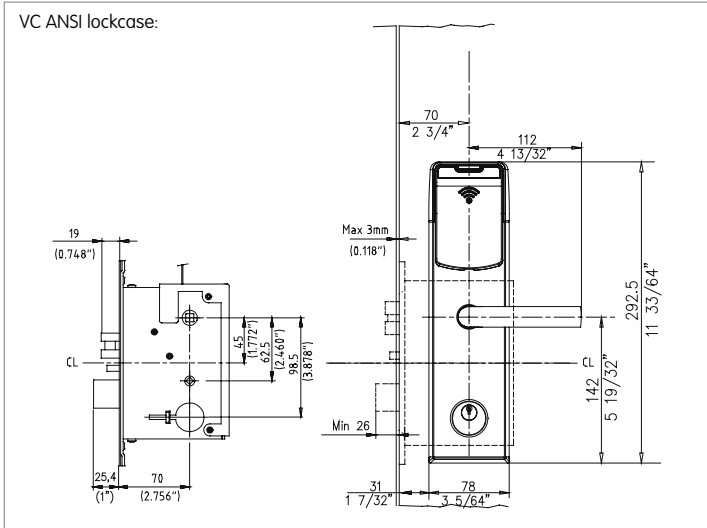
VingCard locks may also be supplied with an optional mechanical override cylinder, widely recognized as the finest in the industry.

- Use of mechanical override is registered in the lock memory for audit trail.
- Superior pick resistance through its 7-pin high security profiles and narrow channel paracentric keyway anti pick drivers.
- Unique cylinder fixing for added security.
- 5 times recodable cylinder (incl. 2 construction levels).
- Cylinder is available in all lock finishes. (Satin finishes may vary from lock finish).

Note: if adding emergency cylinder when upgrading to RFID, full escutcheon needs to be replaced.



# SPECIFICATIONS



Suitable for the American, Japanese and Pacific Ocean market in three versions (**ANSI**):

- 25 mm front
- 28 mm front
- 32 mm front

Suitable for the European market in three versions (**EURO**):

- 20 mm front
- 22 mm front
- 24 mm front

Backset: 70 mm                      Backset: 65 mm/80 mm

The lock is operated by handles from both the inside and the outside of the door.

The inside operation retracts both deadbolt and latchbolt for easy egress.

Go ContactLess in 1 - 2 - 3!

Contact us:

**Classic**<sup>®</sup>  
by VingCard<sup>®</sup>



ASSA ABLOY

VingCard Elsafe AS

P.O. Box 511 • 1522 Moss • Norway  
 Tel: +47 69 24 50 00 • Fax: +47 69 24 50 50  
 E-mail: info@vcegroup.com • www.vcegroup.com

Classic RFID reader is only applicable to Classic standard and aluminium escutcheon, not Gothic. Specifications may change without notice.